



Features

The system consists of a wall mounted base station and a tool accessory capable of wireless tool tethering and tool orientation detection.

- Wireless tool distance measurement based on ultra wideband radio technology with a minimum precision of 50 cm
- Tool orientation detection in two axes for joint differentiation
- Simple configuration using the integrated touch display
- Communication via Open Protocol to Power Focus 4000 and Power Focus 6000 controllers
- Tool tag accessories for ST, STB and STR tool series
- One simple standalone installation per work station

Tag your tools.
The locating tag fits easily to your tools. The tag sends position and orientation information to the base station.

What is a Virtual Station – and where does wireless tethering fit in?

The Virtual Station is the enabler of your assembly. It controls the tool, the communication and the accessories in your assembly station. Just like Wireless Tethering it is all about streamlining your production – achieving smart connected assembly.



Model	Specification	Ordering No.
ILT Base station + VT SW	Base Station including Virtual Tethering Software	8436 6770 00
IL Tag STR-S	STR-S	8436 6770 01
IL Tag STR-L	STR-L	8436 6770 02
IL Tag ETP	ETP 32x	8436 6770 03
IL Tag ST61-S	ETV ST31 05-30 / ETV ST61 28-50 / ETV STB3x / ETV STB6x 30-50 / ETD ST31 / ETD ST61 15-30	8436 6770 04
IL Tag ST61-L	ETV ST61 70-200 / ETV STB6x 70-100 / ETD ST61 50-120	8436 6770 05
IL Tag ST81-S	ETV ST81 50 / ETD ST81 30	8436 6770 06
IL Tag ST81-L	ETV ST81 70-200 / ETD ST81 50-120	8436 6770 07
IL Tag ST101	ETV ST81 70-200 / ETD ST81 50-120	8436 6770 08

Accessory	Specification	Ordering No.
ILT Power cable 5M	M8 Female -to- Open End, 4 Pole, 5 Meter, Shielded	4222 1011 01
ILT Ethernet cable 5M	M12 Male D-coded -to- RJ45, 4 Pole, 5 Meter, Shielded	4222 1011 02
ILT Ethernet cable 10M	M12 Male D-coded -to- RJ45, 4 Pole, 10 Meter, Shielded	4222 1011 03
ILT Serial cable 5M	M8 Male -to- D-Sub 9, 5 Meter, Shielded	4222 1011 04
ILT Cable extension 5M	M8 Male -to- M8 Female, 4 Pole, 5 Meter, Shielded	4222 1011 05
PF 6000 Adapter cable	Adapter cable for comport connection	4222 3073 00

- ILT Power cable 5M is included when ordering the ILT Base Station
- The ILT Ethernet cable and PF6000 Adapter cable need to be ordered separately
- For installation with PF4000 the ILT Serial cable needs to be ordered separately



Industrial Location Tethering

Ensures that your wireless tools only operate within the right area.

Ensure that your battery tools only work where you want them to

With the Atlas Copco Wireless Tethering solution your battery tools will only operate in the correct station. This helps avoid reworking saving you time and money.

Wireless freedom means a huge lift for productivity and ergonomics. And with the many benefits of virtual stations, you have a flexible and agile solution for any quality assembly need you may have.

To gain total control – not only of your results – you can now add the security of wireless tethering of tools within a station. This will ensure sure that they are only used in the position they are supposed to.

What wireless tethering can do for you

Your tools will only work where you want them to. Make sure wireless tools are used within the correct station by disabling them if they are outside the set working range.

Control the orientation of the tool. Make sure that the correct bolt is tightened using the orientation detection functionality.

You will have total control of settings and applications. The correct tightening program will automatically be selected based on the tool's position or orientation.

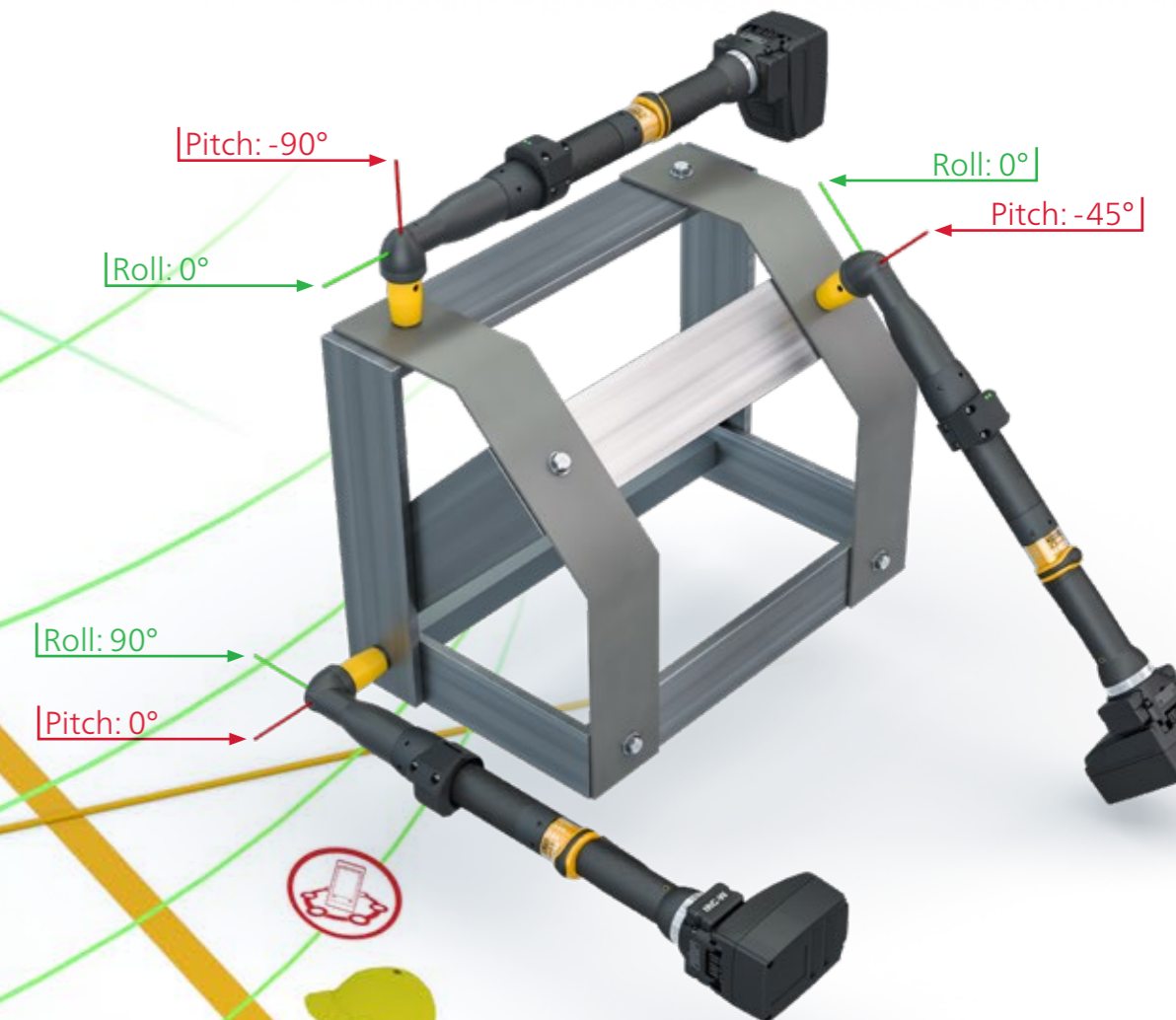
Combine your settings

The Atlas Copco Industrial Location Tethering solution consists of a base station and a tool tag. Wireless distance measurement technology monitors the distance between base station and tool tag. You define criteria for maximum and minimum allowed distance between tool and station.

Tool Orientation detection continuously monitors the tool's orientation. Users can define criteria for both roll and pitch angles, giving joint differentiation in certain applications.

User-defined commands regarding tools enable/disable and p-sets can be sent to the Power Focus controller over Open Protocol.

Your distance range and orientation setting can be used individually or in combination with each other, depending on your needs. Multiple work stations can be set up separately.



Add the security of wireless tethering of tools within a station. Make sure specific tools are only used within the position they are supposed to.

